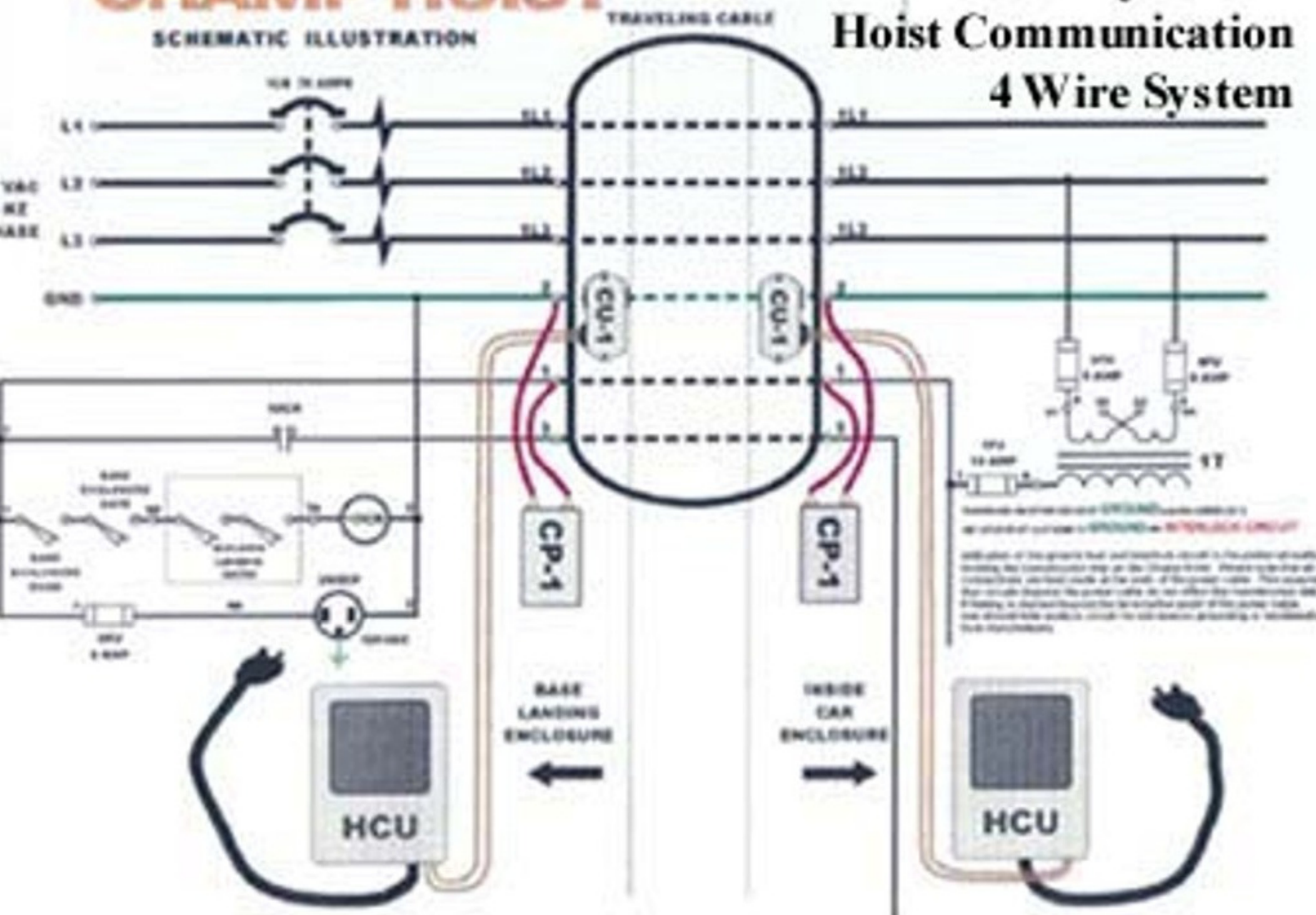


CHAMP HOIST

SCHEMATIC ILLUSTRATION



Curly Com Hoist Communication 4 Wire System

Indicate in the diagram that you should use a 1/2" diameter cable for the traveling cable at the top of the hoist. The diameter of the cable should be 1/2" at the end of the traveling cable. The cable should be made of steel wire or an alloy of aluminum and steel. A description of the traveling cable is given in the diagram. The cable should be made of steel wire or an alloy of aluminum and steel. The diameter of the cable should be 1/2" at the end of the traveling cable.